

## Infinity Conventional Fire Alarm Panel



The Infinity 8 control panel is housed in the most attractive, modern designed, flame retardant ABS enclosure, utilising a switch mode power supply. It has a fully removable front cover which improves ease of access for cable installations.

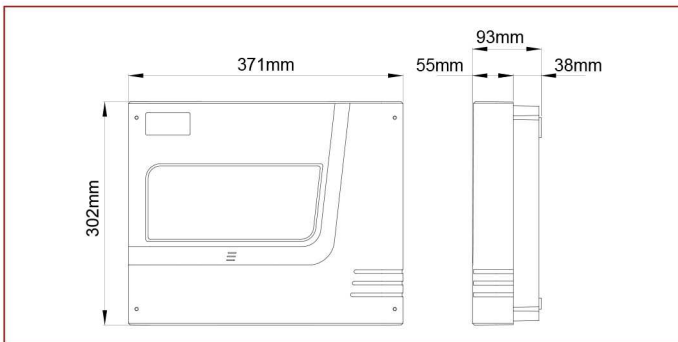
### Optional Metal Backbox

The Infinity 8 panel can also be ordered with a metal back box facilitating upto 7ah batteries to fit within the panel housing. To order this version add "/M" to the end of the model number (i.e. IN1/M, IN2/M, etc.)



### Features

- ✓ Access via password - removes problem of lost keys
- ✓ One man test facility
- ✓ Disablement facility for zones & sounders
- ✓ Space for up to 3Ah batteries
- ✓ Sounder delay option
- ✓ 4 sounder circuits (IN4, IN6 & IN8)
- ✓ Sounder circuits 3 and/or 4 can be configured as Aux 24V supplies
- ✓ Meets all requirements of latest EN54 part 2 and part4



MODEL	Eurotech 1	Eurotech 2	Eurotech 4	Eurotech 6	Eurotech 8
Part No	2500/1	2500/2	2500/4	2500/6	2500/8
Mains Voltage	230V AC +10% / -15% @ 50/60 Hz				
System Voltage	24V DC (Nominal)				
Zone Voltage	21V DC (Nominal)				
Sounder Alarm Output	2 x 150mA @ 24V DC		4 x 150mA @ 24V DC		
Fault Relay	1 x Volt Free Relay, SELV @ 1A Max				
Fault Relay	1 x Volt Free Relay, SELV @ 1A Max				
Zone Capacity	32 devices per zone				
Remote sounder operation	Via N/O contact connected to Class Change				
Sounder Activation Delay	0 to 10 minutes in 1 minute increments				
Zone End of line	1N4002 Diode (Cathode Stripe to Zone +ve)				
Sounder End of Line	10K resistor				
Charger Voltage	27.6V				
Battery cut off	Battery voltage less than 20V				
Battery Internal Resistance limit	0.9 ohm				
Enclosure size	371 x 302 x 93 (mm)				
Weight	3 kg (Excluding Batteries)				
Maximum battery space	2 x 3.4 Ah, 12 Vdc sealed lead acid				